

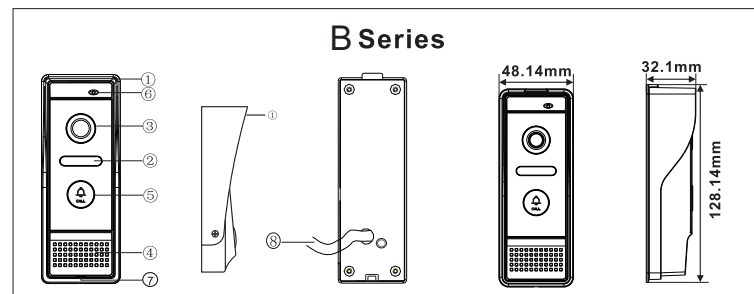
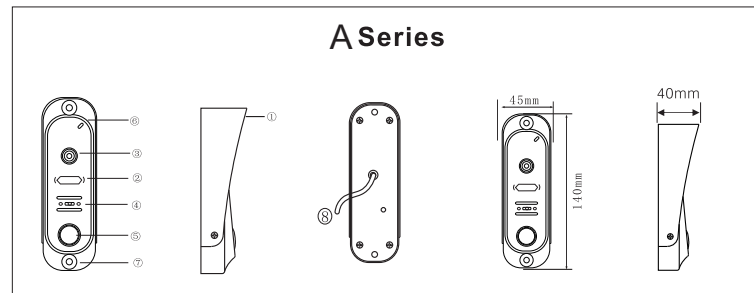
# OPERATION INSTRUCTION

## Video intercom system

### Outdoor Camera

### User Manual

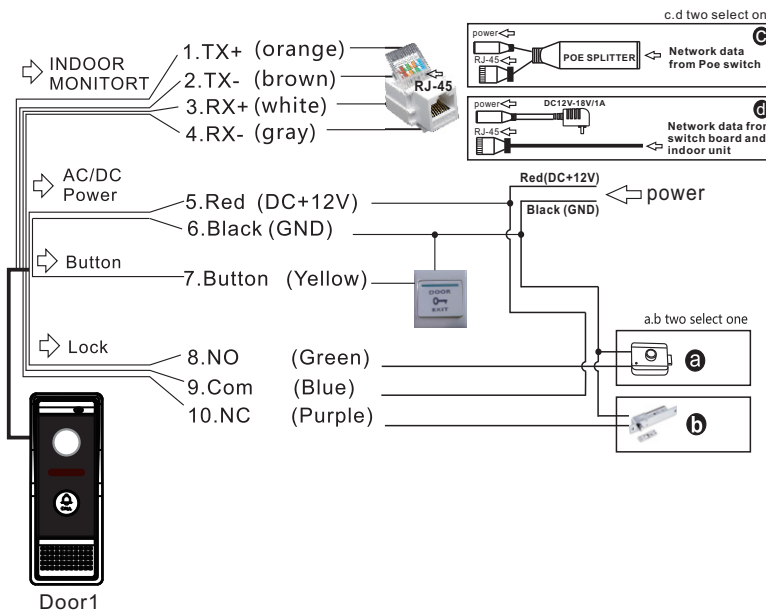
## 1. OVERVIEW



①	Weather shield
②	IR LEDS
③	Camera
④	Speaker
⑤	Call button
⑥	Microphone
⑦	Screw slot
⑧	System port

1

## 2. WIRING DIAGRAM

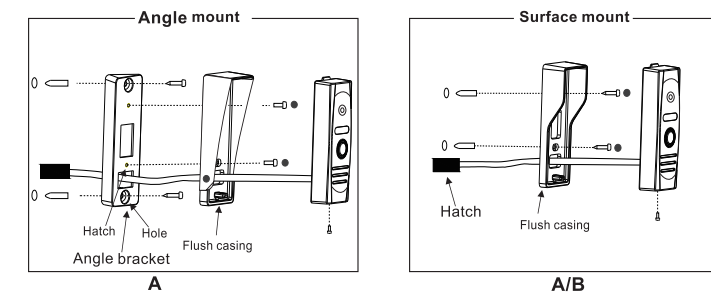


## 3. PRODUCT SPECIFICATIONS

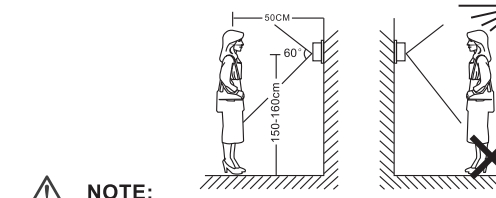
Camera sensor	1/4 inch pinhole COMS camera
View angle	60°/(120°)
Definition(Hor.)	720P
Power consumption	300mA max.
Power supplier	DC12V-18V/1A or POE SPLITTER12V-18V/1A
Operation temp.	-40→+50℃
Installation	Surface/flush mount

2

## 4. INSTALLATION DIAGRAM



## 5. INSTALLATION PROCESS OF OUTDOOR UNITS



NOTE:

- Avoid installation of the device near strong radiation e.g. AC motor and lift.
- Maintenance should be complied with qualified technician.
- Avoid hard shake, beating and collision, otherwise the internal exact components maybe be damaged.
- Do not expose the outdoor camera under strong light or sunshine.
- Do not install the outdoor camera in the environment e.g. direct sunlight, contact rain, High temperature, high humidity, full of dust and chemistry corrosive.
- Select the most suitable position where the camera is located at user's eye level
- Switch off power supply before installation.
- Keep more than 30cm away from AC power supply to avoid external interference.
- Keep it away from the water and magnetic field.

3